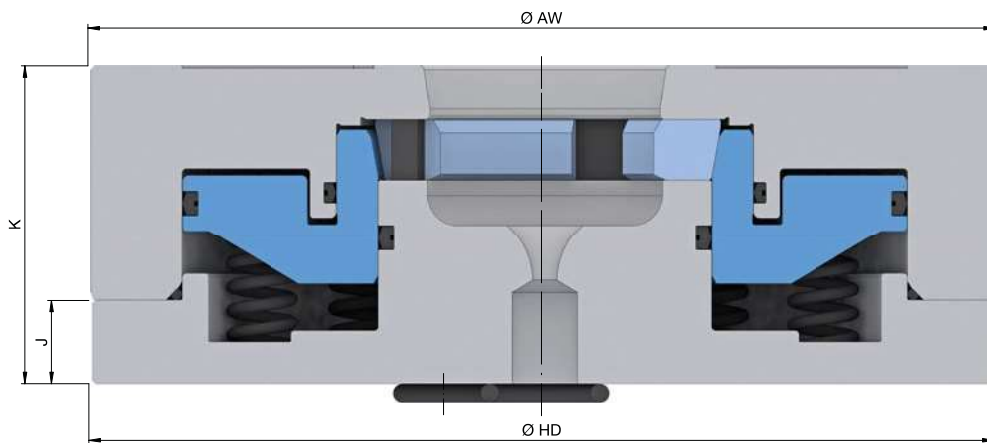


# DOCKLOCK ZERO-POINT CLAMPING SYSTEM

## DockLock

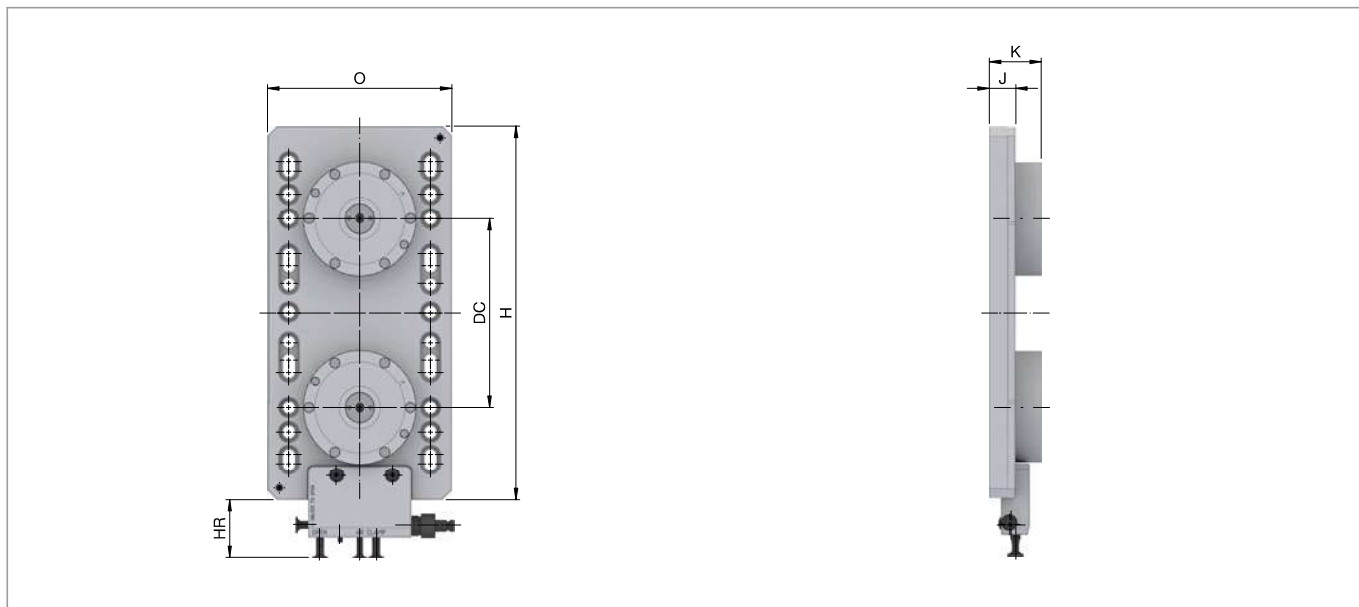
### DockLock airline flanged cylinder. Technical data



<b>Size</b>		<b>20</b>
<b>Min. draw-in force [kN]</b>		<b>12,5</b>
Min. holding power [kN]		40
Repeatability ≤ [mm]		0,005
Outer Ø [mm]	AW	120
Outer Ø 2 [mm]	HD	119,7
Overall height [mm]	K	42
Height [mm]	J	11
Max. release pressure [bar]		12
Release		Pneumatic
Air-blast cleaning		Yes
Weight [kg]		3,7
In stock		✓
<b>Material no.</b>		<b>10020648</b>



### DockLock airline base plates. Technical data



Size	<b>20</b>			
Min. draw-in force [kN]	<b>25</b>	<b>50</b>	<b>75</b>	<b>100</b>
Number of clamping positions	2	4	6	8
Min. holding power [kN]	80	160	240	320
Repeatability ≤ [mm]	0,005			
Length [mm]	395			
Length 2 [mm]	61,2			
Width [mm]	195	395	595	795
Overall height [mm]	55			
Height [mm]	28			
Max. release pressure [bar]	12			
Release	Pneumatic			
Air-blast cleaning	Yes			
Linear dimensions of the clamping position [mm]	200			
Weight [kg]	24,2	47,8	71,9	96,9
In stock	✓	✓	✓	✓
Material no.	10020649	10020650	10020651	10020652



#### Scope of delivery

- Base plate
- Built-in cylinder
- Cover bolt